

Expro's Weps-100 Matre subsea sensor

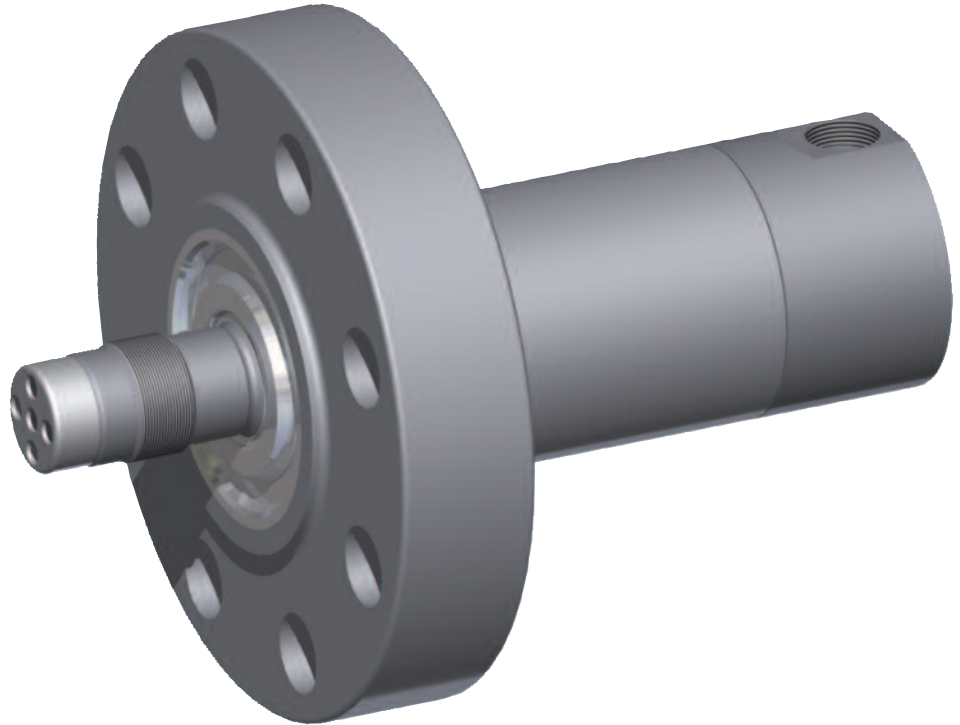


Expro has combined the best parts of its Matre subsea sensors to create a new more compact sensor – the WEPS-100.

The new product range brings you a cost-effective, reliable and ultra convenient solution to meet your subsea needs.

The WEPS-100 meets market demand providing high-quality solutions for subsea pressure and temperature sensors. The WEPS-100 sensor has been modularized in order to decrease variation in the range of flange sizes. This also standardizes the build between analogue and digital sensors, as well as streamlining assembly processes of 15k PSI sensors.

With over 10,000 WEPS style sensors produced to date, this product has an unrivalled pedigree in delivering information from subsea wells to maximize well flow management performance.



- Features:**
- Measuring range of up to 15,000psi (1035 bar)
 - Working temperatures up to 350F (180°C)
 - Full compliance to SIIS standards
 - SIL ratings available on request
 - Pressure accuracy of better than +/- 0.025%FS
 - Temperature accuracy better than +/- 1°C
 - Suitable for full subsea insulation
 - Over pressure capability of 28,000psi
 - Qualified for Joule Thompson effects down to -70°C

- Benefits:**
- Common build process drives quality and, ultimately, reliability
 - Short lead times
 - Convenient and simplified buying process
 - Increased standardization of flanges will enhance procurement quality control
 - A cost-effective solution

Cable interface	Mech. interface	Sensor type	Pressure Temperature	Output
	 10K API 6A BX150	 Analog 0,08% Digital 0,05%	10K 60°C+150°C	4/20 mA CanOpen
	 15K API 6A BX 152	 Analog 0.08% Digital 0,025%	10-15K 35°C+150°C	RS 485 Modbus RS 485 KOS

The SDP-6 is designed and qualified in accordance with the standards of ISO 13628-6.