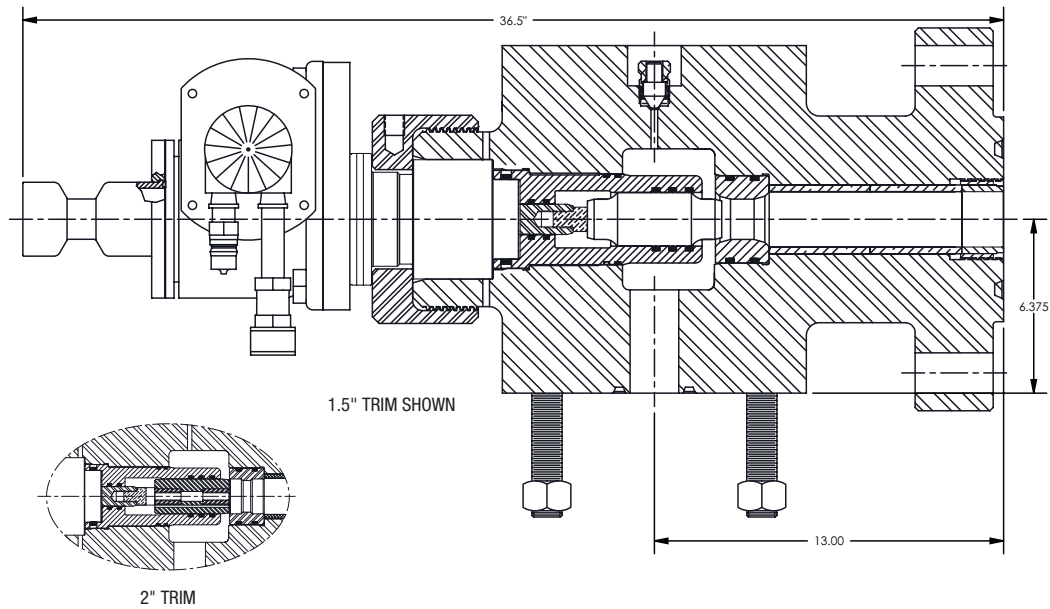
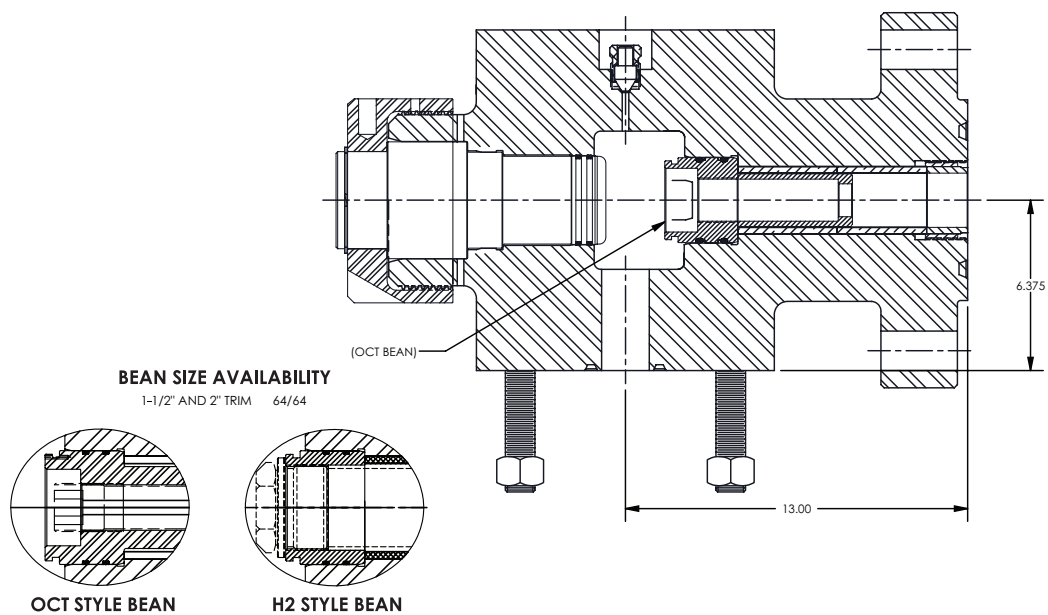


Trim and Bean Information for Model SCD Choke

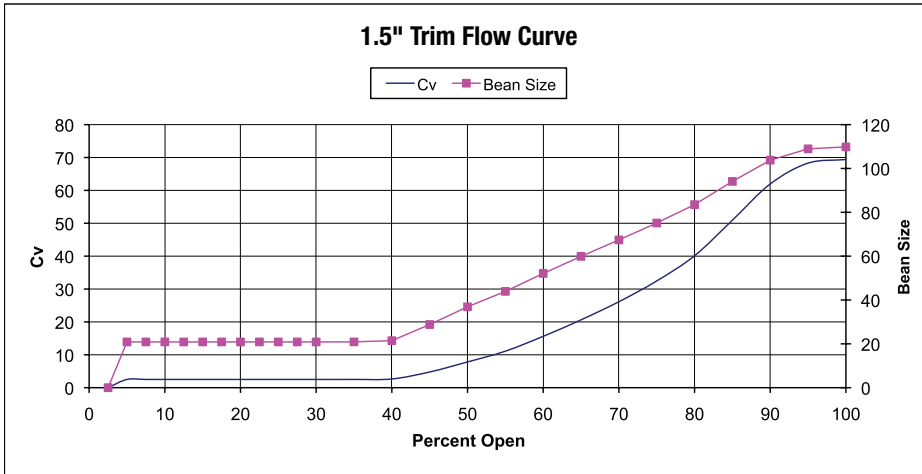
Adjustable SCD Choke Showing Available Trim Sizes



Positive SCD Choke Showing Bean Styles



C_v Information for Model SCD Choke



C_v is the standard industry measurement used to compare the capacity and sizing of a choke for specific applications. The flow coefficient (C_v) of a choke changes as the available flow area is increased or decreased, and reflects the efficiency at which the choke allows fluid to flow.

