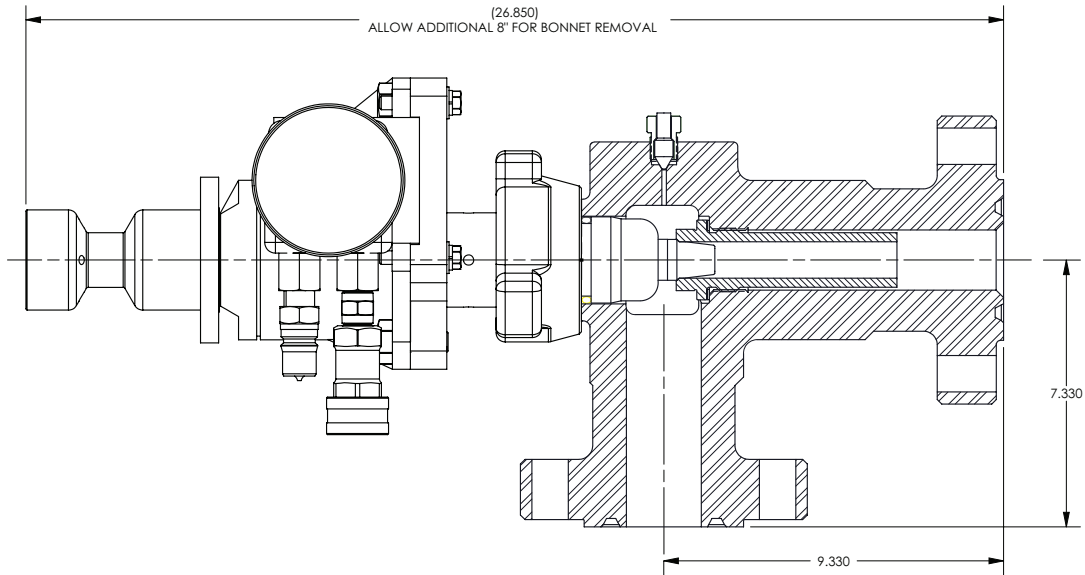
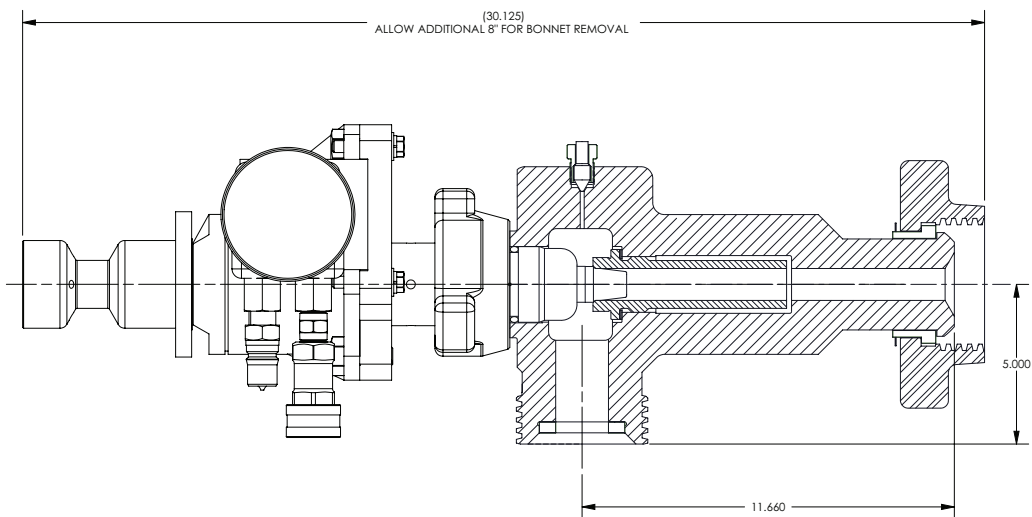


Body Option Information for Model SCC Choke

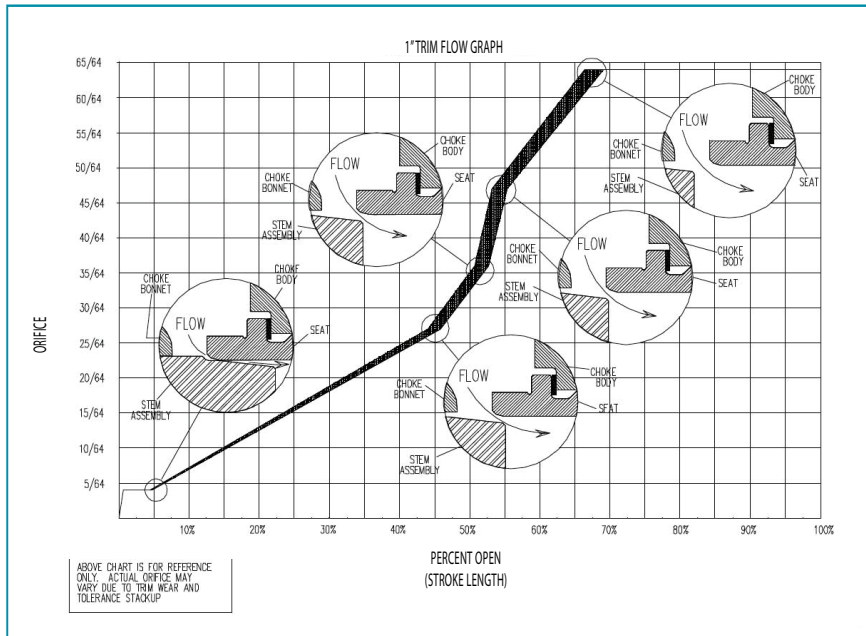
Flanged Body for SCC Choke



Hammer-Union Body for SCC Choke



C_v Information for Model SCC Choke - 1" Trim



C_v is the standard industry measurement used to compare the capacity and sizing of a choke for specific applications. The flow coefficient (C_v) of a choke changes as the available flow area is increased or decreased, and reflects the efficiency at which the choke allows fluid to flow.