

Model SCC Coiled-Tubing / Bleed Off Choke

The Model SCC is a forged body, coiled-tubing or bleed off choke for severe service, available as an Adjustable model.

Features:

Adjustable Choke

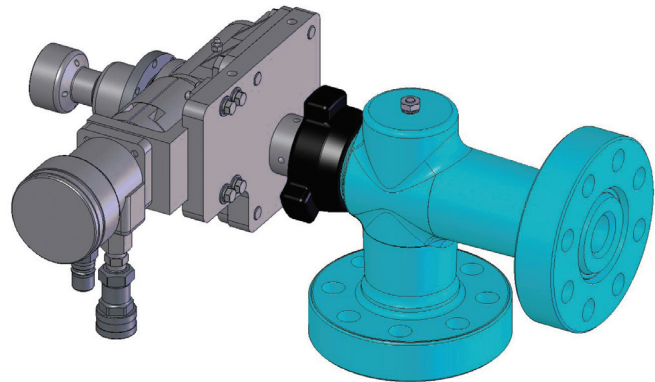
- Worm gear drive actuator – eliminates backlash and provides precise control; self-locking to prevent movement even if hydraulic pressure is lost.
- Quick change actuator – no need to disconnect hoses for removal. Trim can be changed in 15 minutes or less without removing the choke from the line or breaking into the manifold.
- Accommodates 1" trim size.
- Tungsten carbide gate and seat - proven design provides maximum erosion resistance. Gate and seat are precision-ground to provide drop tight shutoff.

Control Consoles

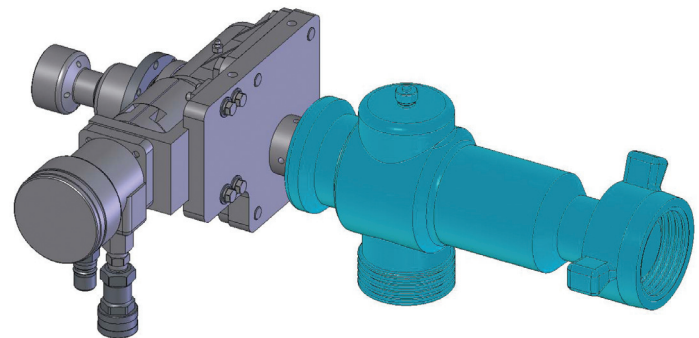
- Offer operation for one, two or more chokes and / or hydraulic control valves
- Speed adjusts to allow fast or slow choke movement
- One or two hydraulic pumps plus manual backup hydraulic pump
- Bourdon tube hydraulic pressure gauges or digital pressures gauges available
- Digital position indicator gauge standard
- Accumulators available for power backup or to smooth choke operation

Adjustable Choke supplied with:

- Bleeder port to bleed pressure from choke body prior to choke bonnet removal for inspection or maintenance.
- 1-13/16", 2-1/16" flanged or 2" 1502 inlet sizes available for use in API 5M or 10M service.



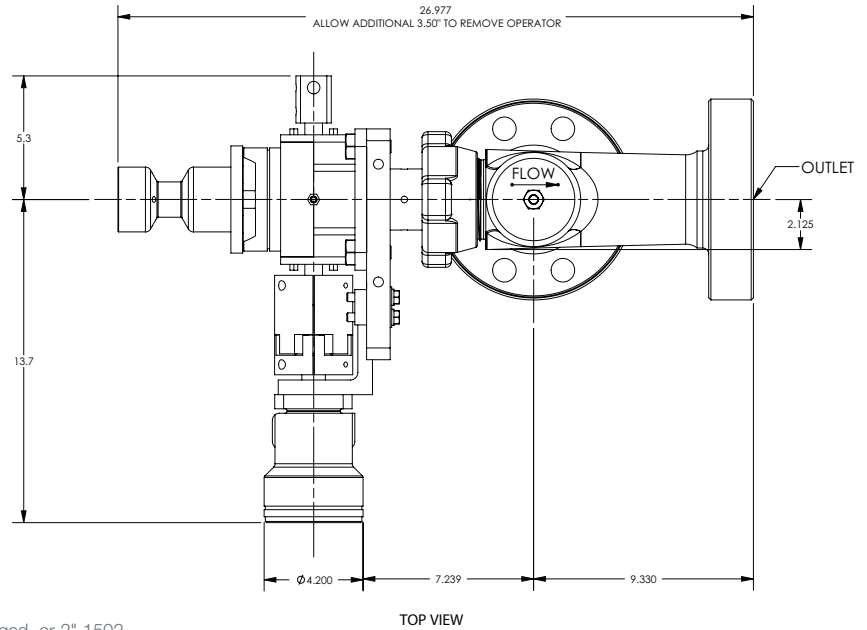
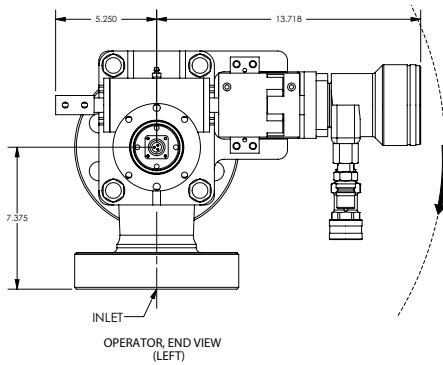
Model SCC Choke with Hydraulic Actuator - Flanged Body



Model SCC Choke with Hydraulic Actuator - Hammer - Union Body

Model SCC Coiled-Tubing / Bleed Off Choke

Technical Data:



Standard Configuration

Reversible, balanced, erosion-resistant trim

Pressure Ratings Available	API 5,000; 10,000 psi
Inlet Size Ranges	1-13/16", 2-1/16" flanged, or 2" 1502
Trim Size Available	1"
Testing	API 6A, API 16C
Body Material	API 75K, Impact Tested IAW NACE MR01-75
Throttling Trim Material	Tungsten Carbide
Seat Material	Tungsten Carbide
Seat Leakage	Drop Tight
API Temperature Range	-20°F to +250°F (-29°C to +121°C)
API 6A PSL	1 - 2
API 6A PR	1 - 2

General Design Specifications

Maximum Open for Controllability	85%
Minimum Open for Controllability	2%
Maximum Exit Velocity	1.0 Mach
Max. Downstream Velocity (Gas)	0.3 Mach
Max. Downstream Velocity (Liquid)	100 - 200 ft/sec
Hydraulic Operating Pressure	1,000 psig
Shut Off	Drop Tight (Exceeds ANSI Class V)
Throttling Pressure Drop	Full-Rated Pressure